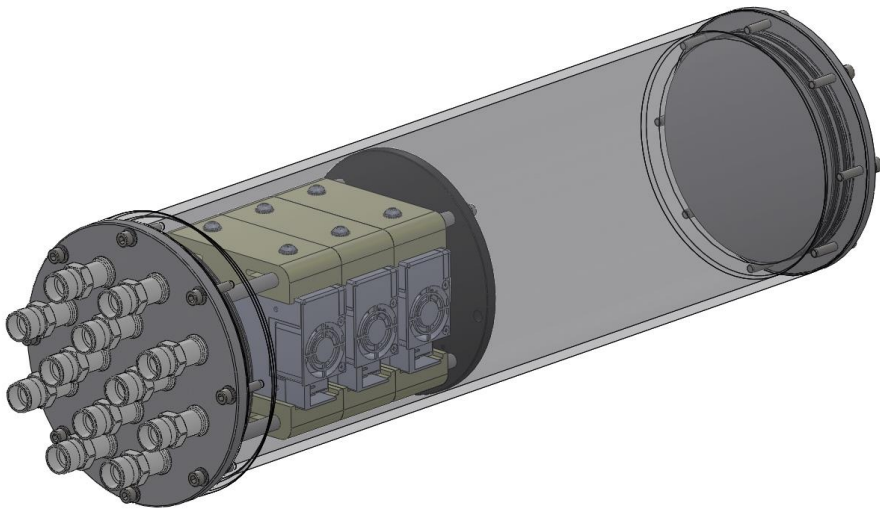


Macduff Robotics

Intelligent Subsea Equipment



Description:

A subsea electronics enclosure installed with three 600-watt switch mode power supplies, each with four independent power modules, allowing a configuration of output DC voltages from 5Vdc to 48Vdc and up to a total overall of 1800 Watts.

ROV power supply Pod – 3000m

MAIN FEATURES

- 1000msw rated
- Aluminium Construction
- Double barrel seal on endcaps
- All units pressure tested and supplied with a test certificate
- Up to 3 x 600w supplies
- DC outputs from 3.6Vdc to 48Vdc
- Up to 16 independent output voltage channels
- Additional space for additional electronic hardware

Further Information

Spares kits also available

Equipment supplied

Standard tool supply includes

- Pod assembly
- Operating and installation manual
- Pressure Test certificate



info@macduff-robotics.com

Specifications

Weight in Air	TBC
Weight in sea water	TBC

Optional additions

-

Information contained in this data sheet is up-to-date and correct as at the date of issue. All product designs, specifications and data are subject to change without notice to improve reliability, function, design or otherwise. No express or implied warranties are given.